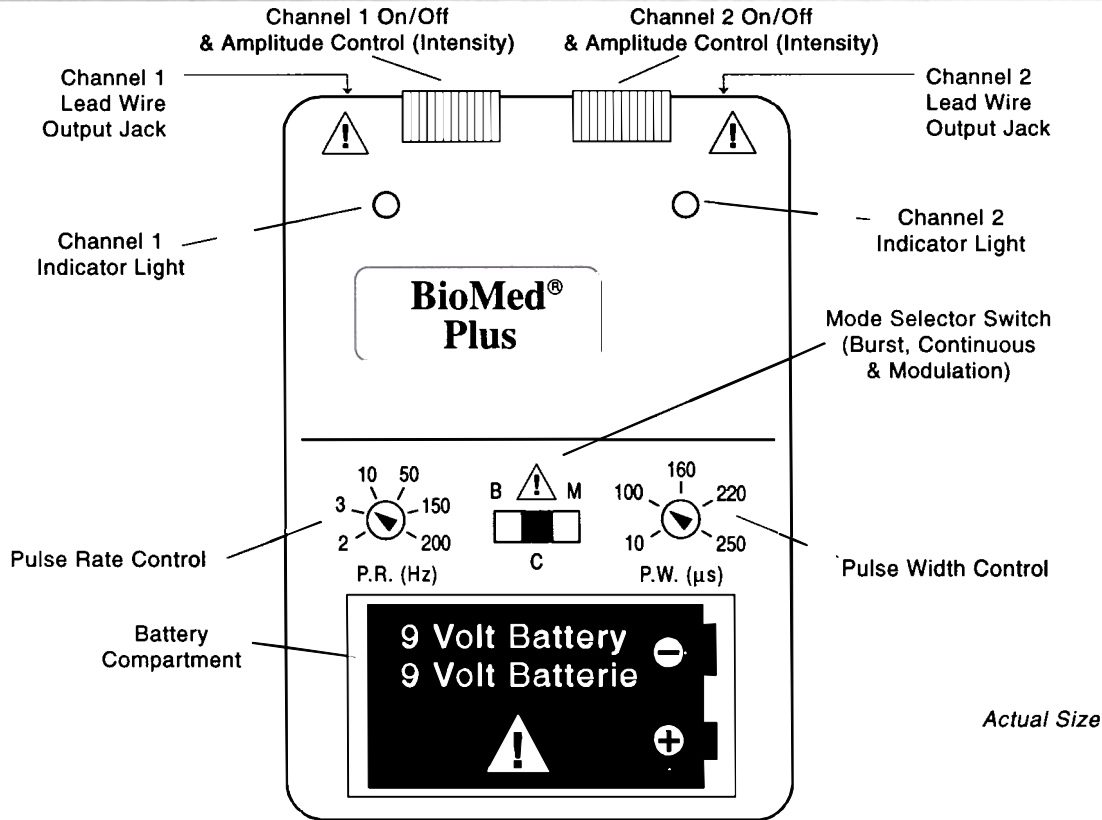


# BioMed<sup>®</sup> Plus



## SPECIFICATIONS

Size	3.9" x 2.75" x 1" (9.90 cm x 6.98 cm x 2.54 cm)
Weight	4.6 oz (132 grams)
Channels	Dual
Power Source	9V battery
Waveform	
Mode 1	Burst: 8 pulses per burst/ 2 bursts per second
Mode 2	Continuous: modified rectangular
Mode 3	P.W. modulated: 5 second varied cycle pattern 250 - 125 μs
Pulse Rate (adj.)	2 to 200 Hz
Pulse Width (adj.)	10 - 250 μs
Output Current	
Intensity (adj.)	0 - 98 mA peak to peak
Output Voltage	0 - 49V peak to peak
Number of Electrodes	2 pair
Number of Lead Wires	2 pair
Tolerances	±10%
Output parameters are across a 500 ohm resistance.	

## SAFETY

### Caution

Federal law (USA) restricts this device to sale by or on the order of a physician so licensed by the State.

### Indications

Transcutaneous Electrical Nerve Stimulation (TENS) devices are used for the symptomatic relief and management of chronic (long-term) intractable pain and as an adjunctive treatment in the management of post-surgical and post-traumatic acute pain problems.

### Contraindications

TENS devices can affect the operation of demand-type cardiac pacemakers. TENS is not recommended for patients with known heart disease without a physician's evaluation of risk. Do not stimulate over the eyes or carotid sinus nerves. Do not apply TENS for 1. undiagnosed pain syndromes until etiology is established, 2. electrode placement that causes current to flow transcranially (through the head).

### Warnings

This device should be used only under the continued supervision of a physician. TENS is ineffective for pain of central origin, (i.e. appendicitis, hepatitis). TENS is of no curative value; it is a symptomatic treatment which suppresses pain sensation which would otherwise serve as a protective mechanism on the outcome of the clinical process. Safety of TENS devices for use during pregnancy or delivery has not been established.

**For external use only.** Electronic equipment such as EKG monitors and EKG alarms may not operate properly when TENS is in use. The user must keep the device out of the reach of children.

### Precautions

Avoid adjusting controls while operating machinery or vehicles. Turn the stimulator off before applying or removing electrodes. Long-term stimulation at the same electrode site may cause skin irritation. Use only for the specific pain problem prescribed by the physician. Effectiveness is dependent upon patient selection.

### Adverse Reactions

Possible allergic reaction to tape or gel. Possible skin irritation or electrode burn under electrode.

**BioMEDICAL**<sup>®</sup>  
**LIFE • SYSTEMS**

P.O. Box 1360  
Vista, California 92085-1360 USA  
(1) 800-726-8367  
FAX: (1) 760-727-4220  
www.bmls.com  
information@bmls.com

DISTRIBUTED BY: